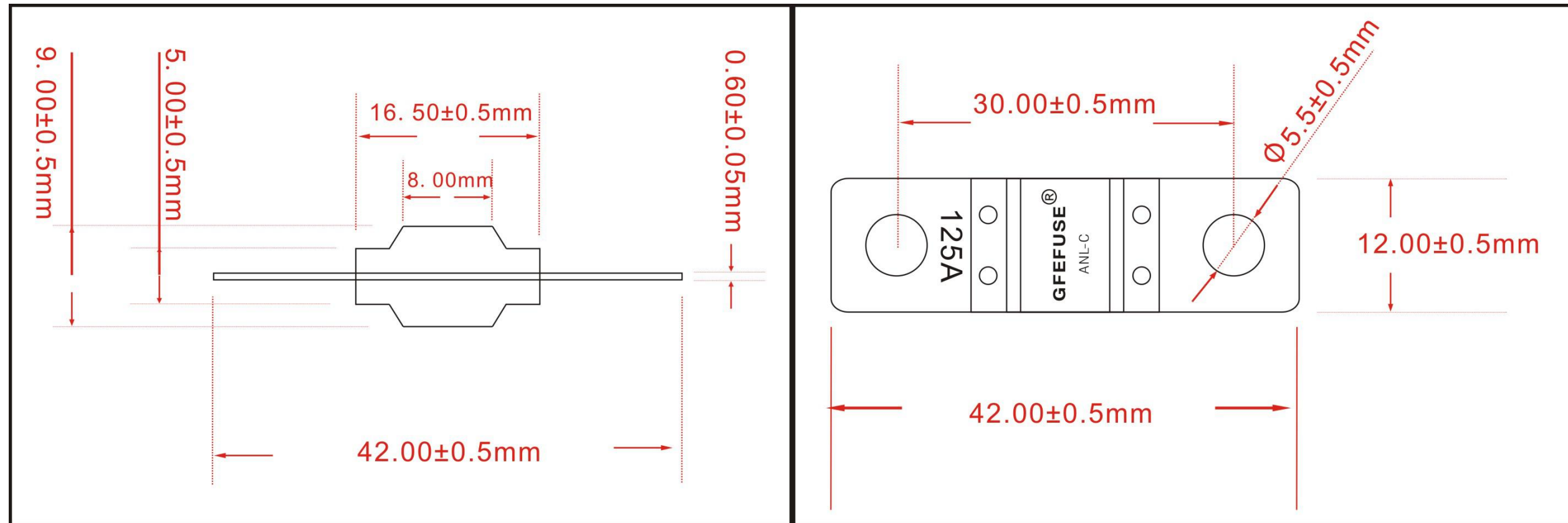


(GFEFUSE[®]) ANL-C[®] Small fork bolt (bolt) single-hole automobile fuse

1. Dimensions (mm)



2. Specifications

Interrupting Rating: 1000A @ 32V/DC

Voltage Rating: 32V/58V/72V/80VDC

Operating Temperature Range: -40°C to + 125°C

Housing: Transparent Nylon Composite

Terminal: Tin plated Copper

Mounting Torque M5: 4.5 Nm +/- 1Nm

IATF16949:2016 Quality system certification enterprise

Note: special voltage needcustom, conventional voltage 32V/ 48V/58V/72V/80VDC

Tip: If there is any change in the product, please communicate with technicians to avoid misselection.

The performance of the product varies greatly depending on the operating environment and temperature

3.Time-Current Characteristics

Rated current%	Fusing time 30A~125A		Fusing time 150A~200A	
	Minimum	Maximum	Minimum	Maximum
100%	--	4h	--	4h
200%	1 second	100 second	1 second	15 second
300%	0.3 second	3 second	---	---
350%	0.1second	---	0.3 second	5 second
500%	0.1 second	1 second	---	---
600%	---	---	0.1 second	1 second

4.Ratings

Part Number	Current Rating	Typ. Voltage Drop	Cold Resistance	I ² t
ANL-C020	23A/20A	65 mV	3.45 mΩ	1400
ANL-C030	30A	65mV	2.06 mΩ	4200
ANL-C040	40 A	65 mV	1.398 mΩ	10000
ANL-C050	50 A	65 mV	1.025 mΩ	13000
ANL-C060	60 A	68 Mv	0.865 mΩ	21700
ANL-C070	70 A	70 mV	0.72 mΩ	24000
ANL-C080	80 A	58 mV	0.541 mΩ	24600
ANL-C100	100 A	60 mV	0.457 mΩ	51300
ANL-C125	125 A	71 mV	0.394 mΩ	73200
ANL-C150	150 A	77 mV	0.323 mΩ	81900
ANL-C175	175 A	77 mV	0.285 mΩ	100000
ANL-C200	200 A	77 mV	0.261 mΩ	125000

5.Time-Current Characteristic Curves

